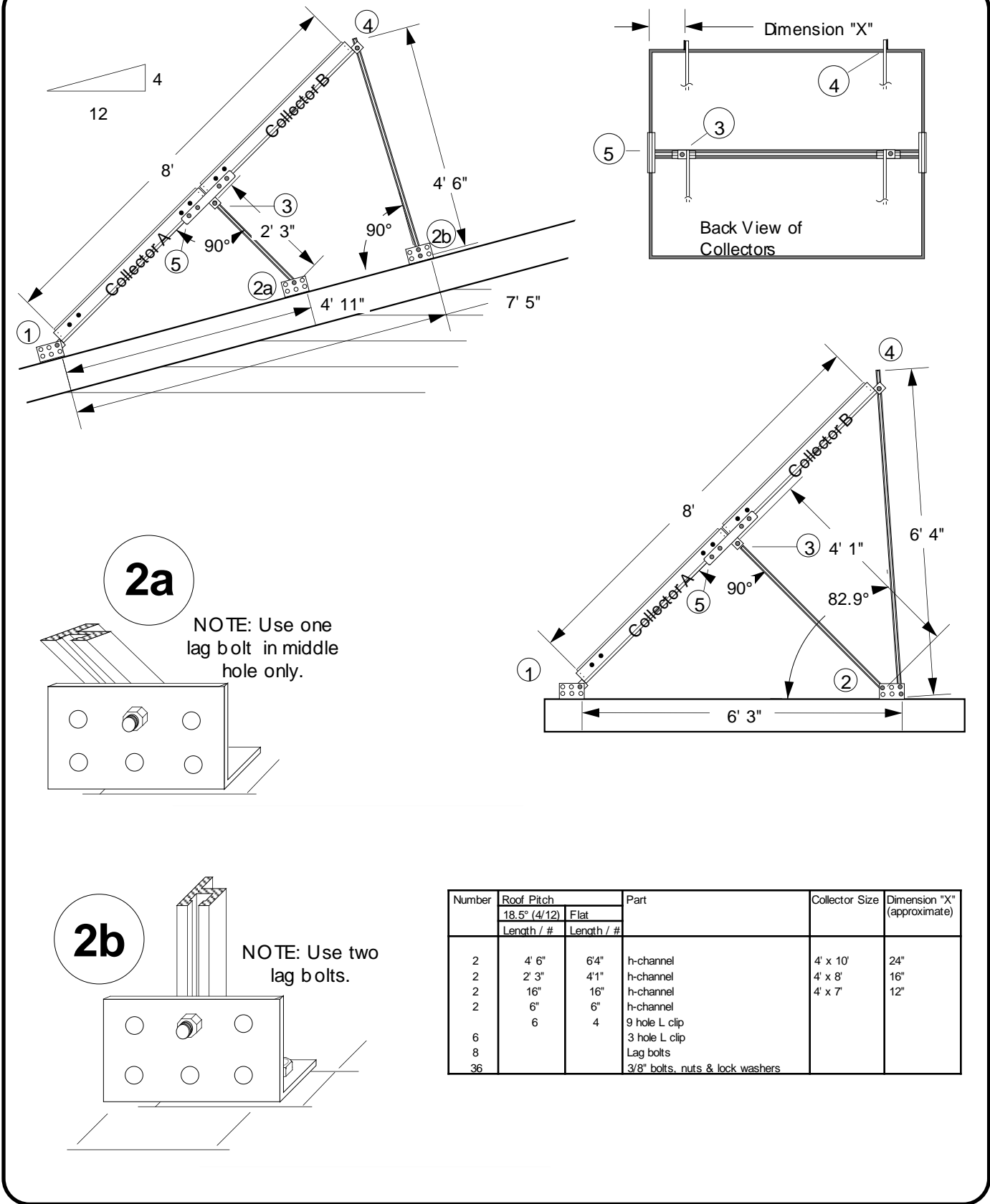


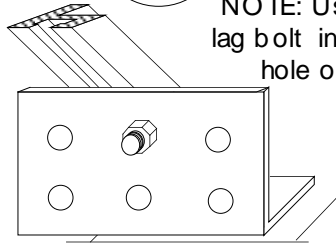
Micro-Flo Roof Rack

December 18, 1991



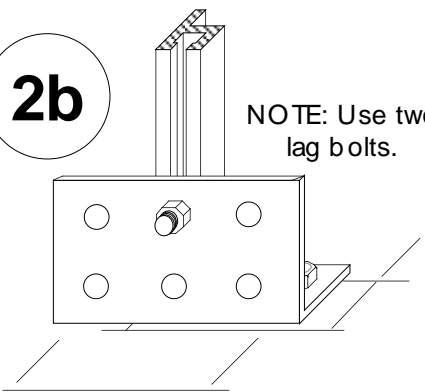
2a

NOTE: Use one lag bolt in middle hole only.



2b

NOTE: Use two lag bolts.



Number	Roof Pitch		Part	Collector Size	Dimension "X" (approximate)
	18.5° (4/12)	Flat			
	Length / #	Length / #			
2	4' 6"	6' 4"	h-channel	4' x 10'	24"
2	2' 3"	4' 1"	h-channel	4' x 8'	16"
2	16"	16"	h-channel	4' x 7'	12"
2	6"	6"	h-channel		
	6	4	9 hole L clip		
6			3 hole L clip		
8			Lag bolts		
36			3/8" bolts, nuts & lock washers		

